

SPECIFICATION DATA SHEET

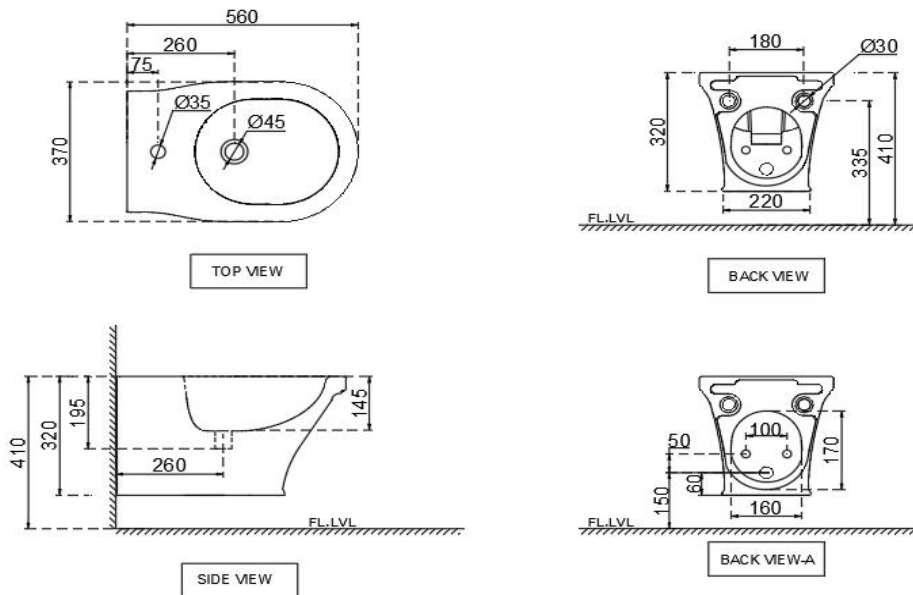
PRODUCT DETAILS

Manufacturer :	Artize	Type:	Wall Hung Bidet
Colour:	White	Material:	Ceramic-FFC
Outlet	Vertical		
	Tap hole dia. $\varnothing 35 \pm 2$ mm		
Technical Details:	Internal diameter of inlet hole dia. $\varnothing 55 \pm 3$ mm		
	Horizontal distance between the centre line of the tap hole and the centre line of the waste outlet hole ≤ 170 mm		

PRODUCT IMAGE



TECHNICAL DRAWING



Product Dimension	370x560x320 mm	FEATURES
Product Weight	21.6 Kg	Wall Mounted Bidet with Tap Hole and Over Flow Hole, Anti-germ Glaze and with Victorian look and Elegant Design.
ACCESSORIES INCLUDED		
Overflow hole cap		ZPS-WHT-9012B
Fixing kit		ZPS-WHT-FB13
ACCESSORIES EXCLUDED		
Rack bolt		ZPS-SNS-RB07

CERTIFICATION

Compliance : EN 14688:2015 (E), EN 997 :2012+A1:2015



DISCLAIMER: Our every effort has been made to ensure factual accuracy, the information presented subject to changes due to requirements in different sites, markets and/ or countries. All dimensions are in mm (Tolerance ± 5 MM). Jaquar reserves the right to make the necessary amendments at any time without prior notice.